

## PNP 2N3789 – 2N3790 – 2N3791 – 2N3792

### EPITAXIAL-BASE TRANSISTORS

The 2N3789, 2N3790, 2N3791 and 2N3792 are silicon epitaxial-base PNP power transistor in Jedec TO-3 metal case. They are intended for use in power linear and switching applications. The 2N3713, 2N3714, 2N3715 and 2N3716 complementary NPN types are respectively. Compliance to RoHS.

#### ABSOLUTE MAXIMUM RATINGS

Symbol	Ratings		Value	Unit
$V_{CBO}$	Collector-Base Voltage	$I_E = 0$	2N3789	V
			2N3791	
			2N3790	
			2N3792	
$V_{CEO}$	Collector-Emitter Voltage	$I_B = 0$	2N3789	V
			2N3791	
			2N3790	
			2N3792	
$V_{EBO}$	Emitter-Base Voltage	$I_C = 0$	-7	V
$I_C$	Collector Current		-10	A
$I_B$	Base Current		-4	A
$P_D$	Total Device Dissipation	@ $T_C = 25^\circ$	150	W
$T_J$	Junction Temperature		-65 to +200	$^\circ\text{C}$
$T_S$	Storage Temperature			

#### THERMAL CHARACTERISTICS

Symbol	Ratings	Value	Unit
$R_{thJC}$	Thermal Resistance, Junction to Case (Max)		1.17 $^\circ\text{C/W}$

## PNP 2N3789 – 2N3790 – 2N3791 – 2N3792

### ELECTRICAL CHARACTERISTICS

TC=25°C unless otherwise noted

Symbol	Ratings	Test Condition(s)	Min	Typ	Max	Unit	
$V_{CEO(BR)}$	Collector-Emitter Breakdown Voltage	$I_C=-200\text{ mA}, I_B=0\text{ (*)}$	2N3789	-60	-	-	V
			2N3791				
			2N3790	-80	-	-	
			2N3792				
$V_{CEO(SUS)}$	Collector-Emitter Sustaining Voltage (*)	$I_C=-200\text{ mA}, I_B=0\text{ (*)}$	2N3789	-60	-	-	V
			2N3791				
			2N3790	-80	-	-	
			2N3792				
$I_{CEO}$	Collector-Emitter Current	$V_{CE}=-30\text{ V}, I_B=0$	2N3789	-	-	-0.7	mA
			2N3791				
		$V_{CE}=-40\text{ V}, I_B=0$	2N3790	-	-	-0.7	
			2N3792				
$I_{CEV}$	Collector Cutoff Current	$V_{CE}=-80\text{ V}, V_{EB}=1.5\text{ V}$	2N3789	-	-	-1	mA
			2N3791				
		$V_{CE}=-100\text{ V}, V_{EB}=1.5\text{ V}$	2N3790	-	-	-1	
			2N3792				
		$V_{CE}=-60\text{ V}, V_{EB}=1.5\text{ V}$ $T_C = 150^\circ\text{C}$	2N3789	-	-	-10	
			2N3791				
		$V_{CE}=-80\text{ V}, V_{EB}=1.5\text{ V}$ $T_C = 150^\circ\text{C}$	2N3790	-	-	-10	
			2N3792				
$I_{EBO}$	Emitter Cutoff Current	$V_{BE}=-7\text{ V}, I_C=0$	2N3713	-	-	-5	mA
			2N3714				
			2N3715				
			2N3716				
$h_{FE}$	DC Current Gain (*) (**)	$I_C=-1\text{ A}, V_{CE}=-2\text{ V}$	2N3789	25	-	90	-
			2N3790				
			2N3791	50	-	150	
			2N3792				
		$I_C=-3\text{ A}, V_{CE}=-2\text{ V}$	2N3789	15	-	-	
			2N3790				
			2N3791	30	-	-	
			2N3792				
		$I_C=-10\text{ A}, V_{CE}=-4\text{ V}$	2N3789	5	-	-	
			2N3790				
			2N3791				
			2N3792				
$V_{CE(SAT)}$	Collector-Emitter saturation Voltage (*) (**)	$I_C=-5\text{ A}, I_B=-0.5\text{ A}$	2N3791	-	-	-1	V
			2N3792				

## PNP 2N3789 – 2N3790 – 2N3791 – 2N3792

### ELECTRICAL CHARACTERISTICS

TC=25°C unless otherwise noted

Symbol	Ratings	Test Condition(s)	Min	Typ	Max	Unit	
$V_{BE(SAT)}$	Base-Emitter saturation Voltage (*) (**)	$I_C = -5\text{ A}, I_B = -0.5\text{ A}$	2N3789	-	-	-2	V
			2N3790	-	-	-1.5	
			2N3791	-	-	-1.5	
			2N3792	-	-	-1.5	
$V_{BE}$	Base-Emitter Voltage (*) (**)	$I_C = -3\text{ A}, V_{CE} = -2\text{ V}$	2N3789	-	-	-1.5	V
			2N3790	-	-	-1.5	
$h_{fe}$	Small Signal Current Gain	$V_{CE} = -10\text{ V}, I_C = -0.5\text{ A}$ $f = 1.0\text{ kHz}$	2N3789	25	-	250	-
			2N3790				
			2N3791				
			2N3792				
		$V_{CE} = -10\text{ V}, I_C = -0.5\text{ A}$ $f = 1.0\text{ MHz}$	2N3789	4	-	4	-
			2N3790				
			2N3791				
			2N3792				

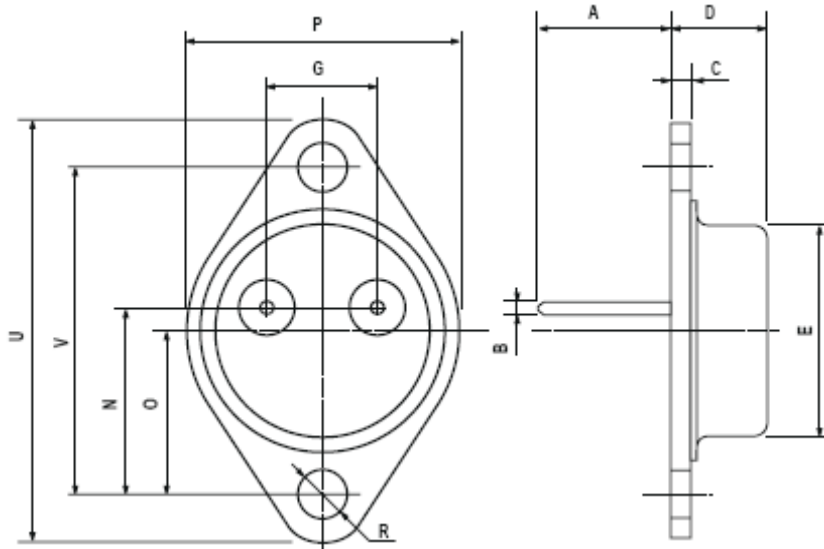
(\*) Pulse Width  $\approx 300\ \mu\text{s}$ , Duty Cycle  $\angle 2.0\%$

(\*\*) These parameters are measured with voltage sensing contacts separate from the current carrying contacts

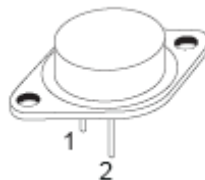
## PNP 2N3789 – 2N3790 – 2N3791 – 2N3792

### MECHANICAL DATA CASE TO-3

DIMENSIONS (mm)		
	min	max
A	11	13.10
B	0.97	1.15
C	1.5	1.65
D	8.32	8.92
F	19	20
G	10.70	11.1
N	16.50	17.20
P	25	26
R	4	4.09
U	38.50	39.30
V	30	30.30



Pin 1 :	Base
Pin 2 :	Emitter
Case :	Collector



Revised September 2012

Information furnished is believed to be accurate and reliable. However, Comset Semiconductors assumes no responsibility for the consequences of use of such information nor for any infringement of patents or other rights of third parties which may result from its use. Data are subject to change without notice. Comset Semiconductors makes no warranty, representation or guarantee regarding the suitability of its products for any particular purpose, nor does Comset Semiconductors assume any liability arising out of the application or use of any product and specifically disclaims any and all liability, including without limitation consequential or incidental damages. Comset Semiconductors' products are not authorized for use as critical components in life support devices or systems.