



**NPN 2N2221 – 2N2221A
2N2222 – 2N2222A**

SWITCHING SILICON TRANSISTORS

The 2N2221-A and 2N2222-A are NPN transistors mounted in TO-18 metal case . They are designed for high-speed switching applications and feature useful current gain over a wide range of collector current, low leakage currents and low saturation voltages.

Compliance to RoHS

ABSOLUTE MAXIMUM RATINGS

Symbol	Ratings	Value		Unit
		2N2221 2N2222	2N2221A 2N2222A	
V _{CEO}	Collector-Emitter Voltage	30	40	V
V _{CBO}	Collector-Base Voltage	60	75	V
V _{EBO}	Emitter-Base Voltage	5	6	V
I _c	Collector Current	800		mA
P _D	Total Power Dissipation	T _{amb} = 25°	0.5	W
		T _{case} = 25°	1.8	
T _J	Junction Temperature	175		°C
T _{Stg}	Storage Temperature range	-65 to +200		°C

THERMAL CHARACTERISTICS

Symbol	Ratings	Value	Unit
R _{thJ-a}	Thermal Resistance, Junction to ambient in free air	50	°C/W
R _{thJ-c}	Thermal Resistance, Junction to case	187.5	°C/W

NPN 2N2221 – 2N2221A 2N2222 – 2N2222A

ELECTRICAL CHARACTERISTICS

TC=25°C unless otherwise noted

Symbol	Ratings	Test Condition(s)			Min	Typ	Mx	Unit
I_{CBO}	Collector Cutoff Current	$V_{CB}= 50\text{ V}$ $I_E= 0$	$T_j= 25^\circ\text{C}$	2N2221-2N2222	-	-	10	nA
			$T_j= 150^\circ\text{C}$	2N2221-2N2222	-	-	10	μA
		$V_{CB}= 60\text{ V}$ $I_E= 0$	$T_j= 25^\circ\text{C}$	2N2221A-2N2222A	-	-	10	nA
			$T_j= 150^\circ\text{C}$	2N2221A-2N2222A	-	-	10	μA
I_{EBO}	Emitter Cutoff Current	$V_{BE}= 3.0\text{ V}, I_C=0$		-	-	10	nA	
		2N2221-2N2222	2N2221A-2N2222A					
I_{CEX}	Collector Cutoff Current	$V_{CE}= 60\text{ V}, -V_{BE}= 3\text{V}$		-	-	10	nA	
V_{CEO}	Collector Emitter Breakdown Voltage (*)	$I_C= 10\text{ mA}, I_B= 0$		2N2221-2N2222	30	-	-	V
				2N2221A-2N2222A	40	-	-	
V_{CBO}	Collector Base Breakdown Voltage	$I_C= 10\text{ }\mu\text{A}, I_E= 0$		2N2221-2N2222	60	-	-	V
				2N2221A-2N2222A	75	-	-	
V_{EBO}	Emitter Base Breakdown Voltage	$I_E= 10\text{ }\mu\text{A}, I_C= 0$		2N2221-2N2222	5	-	-	V
				2N2221A-2N2222A	6	-	-	
h_{FE}	DC Current Gain (*)	$I_C=0.1\text{ mA}, V_{CE}=10\text{ V}$		2N2221-2N2221A	20	-	-	-
				2N2222-2N2222A	35	-	-	
		$I_C=1\text{ mA}, V_{CE}=10\text{ V}$		2N2221-2N2221A	25	-	-	
				2N2222-2N2222A	50	-	-	
		$I_C=10\text{ mA}, V_{CE}=10\text{ V}$		2N2221-2N2221A	35	-	-	
				2N2222-2N2222A	75	-	-	
		$I_C=10\text{ mA}, V_{CE}=10\text{ V}$ $T_{amb} = -55^\circ\text{C}$		2N2221A	15	-	-	
				2N2222A	35	-	-	
		$I_C=150\text{ mA}, V_{CE}=1\text{ V}$		2N2221-2N2221A	20	-	-	
				2N2222-2N2222A	50	-	-	
		$I_C=150\text{ mA}, V_{CE}=10\text{ V}$		2N2221-2N2221A	40	-	120	
				2N2222-2N2222A	100	-	300	
$I_C=500\text{ mA}, V_{CE}=10\text{ V}$		2N2221	20	-	-			
		2N2221A	25	-	-			
		2N2222	30	-	-			
		2N2222A	40	-	-			

NPN 2N2221 – 2N2221A 2N2222 – 2N2222A

ELECTRICAL CHARACTERISTICS

TC=25°C unless otherwise noted

Symbol	Ratings	Test Condition(s)	Min	Typ	Mx	Unit	
$V_{CE(SAT)}$	Collector-Emitter saturation Voltage (*)	$I_C=150\text{ mA}, I_B=15\text{ mA}$	2N2221-2N2222	-	-	0.4	V
			2N2221A-2N2222A	-	-	0.3	
		$I_C=500\text{ mA}, I_B=50\text{ mA}$	2N2221-2N2222	-	-	1.6	
			2N2221A-2N2222A	-	-	1	
$V_{BE(SAT)}$	Base-Emitter saturation Voltage (*)	$I_C=150\text{ mA}, I_B=15\text{ mA}$	2N2221-2N2222	-	-	1.3	V
			2N2221A-2N2222A	0.6	-	1.2	
		$I_C=500\text{ mA}, I_B=50\text{ mA}$	2N2221-2N2222	-	-	2.6	
			2N2221A-2N2222A	-	-	2	
f_T	Transition frequency	$I_C=20\text{ mA}, V_{CE}=20\text{ V}$ $f=100\text{ MHz}$	2N2221-2N22218A	250	-	-	MHz
			2N2222				
			2N2222A	300	-	-	
h_{fe}	Small signal current gain	$I_C=1\text{ mA}, V_{CE}=10\text{ V}$ $f=1\text{ kHz}$	2N2221A	30	-	150	-
			2N2222A	50	-	300	
		$I_C=10\text{ mA}, V_{CE}=10\text{ V}$ $f=1\text{ kHz}$	2N2221A	50	-	300	
			2N2222A	75	-	375	
t_d	Delay time	$I_C=150\text{ mA}, I_B=15\text{ mA}$ $-V_{BB}=0.5\text{ V}, V_{CC}=30\text{ V}$	2N2221A	-	-	10	ns
			2N2222A				
t_r	Rise time	$I_C=150\text{ mA}, I_B=15\text{ mA}$ $-V_{BB}=0.5\text{ V}, V_{CC}=30\text{ V}$	2N2221A	-	-	25	ns
			2N2222A				
t_s	Storage time	$I_C=150\text{ mA}, V_{CC}=30\text{ V}$ $I_{B1} = -I_{B2} = 15\text{ mA}$	2N2221A	-	-	225	ns
			2N2222A				
t_f	Fall time	$I_C=150\text{ mA}, V_{CC}=30\text{ V}$ $I_{B1} = -I_{B2} = 15\text{ mA}$	2N2221A	-	-	60	ns
			2N2222A				
r_b, C_c	Feedback time constant	$I_C=20\text{ mA}, V_{CE}=20\text{ V}$ $f=31.8\text{ MHz}$	2N2221A	-	-	150	ps
			2N2222A				

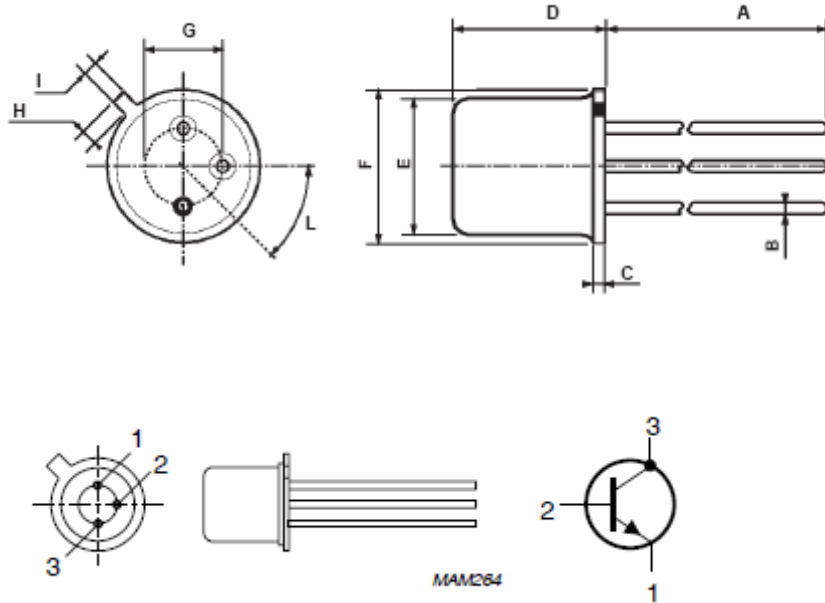
(*) Pulse conditions : $t_p < 300\text{ }\mu\text{s}$, $\delta = 2\%$

**NPN 2N2221 – 2N2221A
2N2222 – 2N2222A**

MECHANICAL DATA CASE TO-18

DIMENSIONS (mm)		
	min	max
A	12.7	-
B	-	0.49
C	0.9	-
D	-	5.3
E	-	4.9
F	-	5.8
G	2.54	-
H	-	1.2
I	-	1.16
L	45°	-

Pin 1 :	emitter
Pin 2 :	base
Pin 3 :	Collector
Case :	Collector



Revised August 2012

Information furnished is believed to be accurate and reliable. However, Comset Semiconductors assumes no responsibility for the consequences of use of such information nor for any infringement of patents or other rights of third parties which may result from its use. Data are subject to change without notice. Comset Semiconductors makes no warranty, representation or guarantee regarding the suitability of its products for any particular purpose, nor does Comset Semiconductors assume any liability arising out of the application or use of any product and specifically disclaims any and all liability, including without limitation consequential or incidental damages. Comset Semiconductors' products are not authorized for use as critical components in life support devices or systems.