



PNP MJ2500 – MJ2501

COMPLEMENTARY POWER DARLINGTONS

The MJ2500, and MJ2501 are silicon epitaxial-base PNP power transistors in monolithic Darlington configuration and are mounted in Jedec TO-3 metal case. They are intended for use in power linear and switching applications.

The complementary NPN types are the MJ3000 and MJ3001 respectively

Compliance to RoHS

ABSOLUTE MAXIMUM RATINGS

Symbol	Ratings		Value	Unit	
V_{CBO}	Collector-Base Voltage	$I_E=0$	MJ2500	-60	V
			MJ2501	-80	
V_{CEO}	Collector-Emitter Voltage	$I_B=0$	MJ2500	-60	V
			MJ2501	-80	
V_{EBO}	Emitter-Base Voltage	$I_C=0$	MJ2500	-5.0	V
			MJ2501		
I_C	Collector Current		MJ2500	-10	A
			MJ2501		
I_B	Base Current		MJ2500	-0.2	A
			MJ2501		
P_T	Power Dissipation	@ $T_C < 25^\circ$	MJ2500 MJ2501	150	W
T_J	Junction Temperature		MJ2500	200	°C
T_s	Storage Temperature		MJ2501	-65 to +200	

THERMAL CHARACTERISTICS

Symbol	Ratings	Value	Unit
R_{thJ-C}	Thermal Resistance, Junction to Case	1.17	°C/W

PNP MJ2500 – MJ2501

ELECTRICAL CHARACTERISTICS

TC=25°C unless otherwise noted

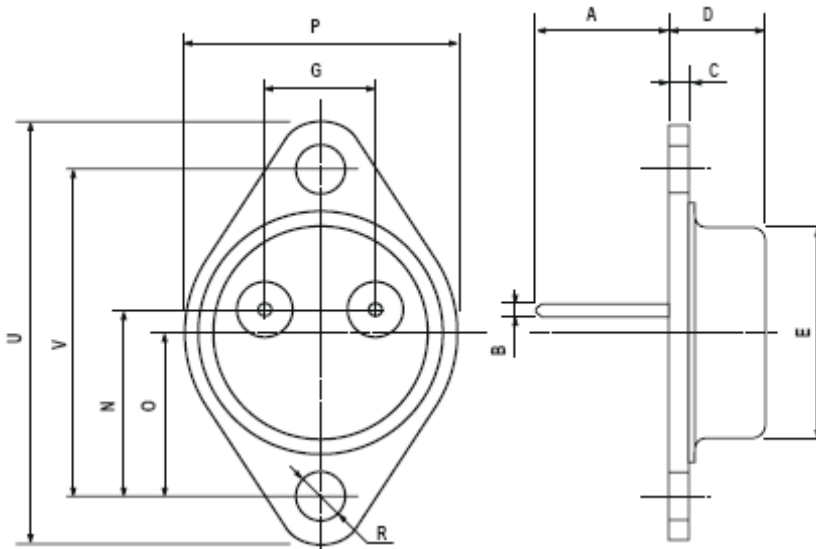
Symbol	Ratings	Test Condition(s)	Min	Typ	Max	Unit	
BV_{CEO}	Collector-Emitter Breakdown Voltage (*)	$I_C=-100\text{mA}$ $I_B=0$	MJ2500	-60	-	-	V
			MJ2501	-80	-	-	
I_{CEO}	Collector Cutoff Current	$V_{CE}=-30\text{ V}$ $I_B=0$	MJ2500	-	-	-1.0	mA
		$V_{CE}=-40\text{ V}$ $I_B=0$	MJ2501	-	-		
I_{EBO}	Emitter Cutoff Current	$V_{BE}=-5.0\text{ V}$ $I_C=0$	MJ2500	-	-	-2.0	mA
			MJ2501				
I_{CER}	Collector-Emitter Leakage Current	$V_{CB}=-60\text{ V}$ $R_{BE}=1.0\text{ k}\Omega$	MJ2500	-	-	-1.0	mA
		$V_{CB}=-80\text{ V}$ $R_{BE}=1.0\text{ k}\Omega$	MJ2501	-	-		
		$V_{CB}=-60\text{ V}$ $R_{BE}=1.0\text{ k}\Omega$ $T_C=150^\circ\text{C}$	MJ2500	-	-	-5.0	
		$V_{CB}=-80\text{ V}$ $R_{BE}=1.0\text{ k}\Omega$ $T_C=150^\circ\text{C}$	MJ2501	-	-		
$V_{CE(SAT)}$	Collector-Emitter saturation Voltage (*)	$I_C=-5.0\text{ A}$ $I_B=-20\text{ mA}$	MJ2500	-	-	-2.0	V
			MJ2501				
		$I_C=-10\text{ A}$ $I_B=-50\text{ mA}$	MJ2500	-	-	-4.0	
			MJ2501				
V_{BE}	Base-Emitter Voltage (*)	$I_C=-5.0\text{ A}$ $V_{CE}=-3.0\text{V}$	MJ2500	-	-	-3	V
			MJ2501				
h_{FE}	DC Current Gain (*)	$V_{CE}=-3.0\text{ V}$ $I_C=-5.0\text{ A}$	MJ2500	1000	-	-	-
			MJ2501				

(*) Pulse Width $\approx 300\ \mu\text{s}$, Duty Cycle $\angle 2.0\%$

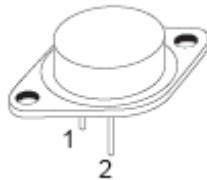
PNP MJ2500 – MJ2501

MECHANICAL DATA CASE TO-3

DIMENSIONS (mm)		
	min	max
A	11	13.10
B	0.97	1.15
C	1.5	1.65
D	8.32	8.92
F	19	20
G	10.70	11.1
N	16.50	17.20
P	25	26
R	4	4.09
U	38.50	39.30
V	30	30.30



Pin 1 :	Base
Pin 2 :	Emitter
Case :	Collector



Revised September 2012

Information furnished is believed to be accurate and reliable. However, Comset Semiconductors assumes no responsibility for the consequences of use of such information nor for any infringement of patents or other rights of third parties which may result from its use. Data are subject to change without notice. Comset Semiconductors makes no warranty, representation or guarantee regarding the suitability of its products for any particular purpose, nor does Comset Semiconductors assume any liability arising out of the application or use of any product and specifically disclaims any and all liability, including without limitation consequential or incidental damages. Comset Semiconductors' products are not authorized for use as critical components in life support devices or systems.